

ICC PEI LLC is an accredited ISO Standard 17065 Product Certifier. This **Product Evaluation Report** represents a product that ICC PEI has Evaluated and this product has a Follow-up Service / Inspection Agreement. This **Product Evaluation Report** in no way implies warranty for this product or relieves **Independence Materials Group** of their liabilities for this product. This **PER** is an official document if it is within one year of the initial or re-approval date.

**Initial Approval**  
September, 2019

**Re-Approved**  
September, 2021

See all Evaluation Reports at: [www.p-e-i.com](http://www.p-e-i.com)

### **Report Owner**

**Independence Materials Group, LLC (IMG)**

1741 Corporate Landing Parkway  
Virginia Beach, VA 23454

### **Product**

**IMG BasementGutter™**

### **Approved Manufacturing Locations**

**LB Plastics Inc**  
482 East Plaza Drive  
Mooresville, NC 28115

**Stuke Iowa**  
1498 Highway 16  
Houghton, IA 52631

Evaluation Report Information  
[www.independencematerialsgroup.com](http://www.independencematerialsgroup.com)  
IMG contact: Allen Gantt - (803) 807-8629

### **General Details**

**IMG BasementGutter™** is a cast-in-place basement perimeter drain system installed during new construction or as a retrofit option. The basement drain system provides a way to collect and discharge basement perimeter seepage to an approved drainage system. The **IMG BasementGutter™** is manufactured from extruded rigid PVC with molded connections and fittings.

The **IMG BasementGutter™** is installed along the foundation wall above the footing on the interior of the building. For retrofit installations, the concrete is cut along the basement wall. The **IMG BasementGutter™** is installed following the Installation Instructions. Crushed stone shall be installed between the top of the footing and the bottom of the **IMG BasementGutter™** to assist with the migration of water into the drain. The **IMG BasementGutter™** channel has holes in the bottom of the channel to allow for water to flow along the path of least resistance to the approved drainage system. For new construction, the **IMG BasementGutter™** is installed around the basement perimeter before the floor slab is poured following the installation instructions.

When installing the **IMG BasementGutter™** along a concrete masonry unit wall, weep holes may be drilled along the base of the wall into each core to provide drainage from the cores of the wall.

**IMG** has a Product Evaluation Service Agreement with **Pei Evaluation Service® (Pei ES)** and a Follow-up Inspection Service Agreement with **Progressive Engineering, Inc. (Pei)**. The approved manufacturing locations have an approved Quality Assurance Manual to manufacture **IMG BasementGutter™** and are audited quarterly by **Pei**.

### **Component Details**

**Extruded Drain** The drain is manufactured from rigid PVC and is extruded in lengths of 7'-6". The drain has holes along the wall side for water collection. The drain extrusion can be cut to size on the job site.

**Corner Fitting** - The 90 degree corner fittings are molded from rigid PVC. The corner fittings connect the drain extrusions around a corner.

**Gravity Drain Fitting** - The gravity drain fittings are molded from rigid PVC. The drain fitting is installed along the extruded drain to allow for gravity drainage to a sump pit.

**Floor Drain Base and Cap** - The floor drain base and cap are molded from rigid PVC. The base and cap are installed on top of the extruded drain with the top edge flush with the interior concrete floor. This provides surface drainage.

**Crushed Stone** - The crushed stone must be a minimum of 1/2" in diameter and installed between the top of the footing and under the **IMG BasementGutter**.

**Ports or Port Lids** - The ports or port lids are molded from rigid PVC. The port or port lids are used for inspection and clean-out purposes.

### **Design Considerations**

A soil or drainage evaluation may be requested or required by the local building official on a job specific basis with consideration to the foundation, soil conditions, or local water table.

**IMG BasementGutter™** is attached to a gravity drain by a drain connector. The gravity drain shall flow into an approved drainage system to meet local and National Building Codes.

Before pouring concrete, it may be required to add a vapor barrier on top of the **IMG BasementGutter™** or gravel.

Radon maybe a concern on a job specific basis. Check with the local building official for approved sealing methods.

**Building Code Compliance**

Table 1 - Applicable Code Sections

2012, 2015 & 2018 International Residential Code® (IRC)
Section R104.11

**General Product Usage and Limitations**

1. The **IMG BasementGutter™** must be installed as described in the installation instructions. The installation instructions must be made easily available to an installer.
2. When installing the **IMG BasementGutter™**, you shall not disturb or undermine the foundation or footing including the consideration of long term affects of gravity drain fitting locations.
3. The collected water must be discharged into an approved drainage system
4. The drilled weep holes shall be between 3/8" and 3/4" diameter. Care shall be taken to not crack or damage the concrete blocks.
5. When installing the **IMG BasementGutter™**, it is NOT recommended to be installed on a slope toward the drain.
6. Footing design or load capacity is outside the scope of this evaluation.

**Product Labeling**

Each IMG Basement Gutter container that is covered by this **PER**, must be marked with the following information:

1. **IMG BasementGutter™** Product/Model Number
2. **IMG** name and address
3. The **Pei ES** Evaluation Mark and website
4. Markings for product traceability

**Acceptable Evaluation Marks****Product Documentation**

A Product Evaluation Service Agreement between **Pei Evaluation Service®** and **Independence Materials Group (IMG)**

A Follow-up Inspection Service Agreement between **Progressive Engineering Inc.** and **Independence Materials Group (IMG)**

Approved Quality Assurance Manual - Dated: 9/30/2020

**IMG Basement Gutter** Installation Instructions

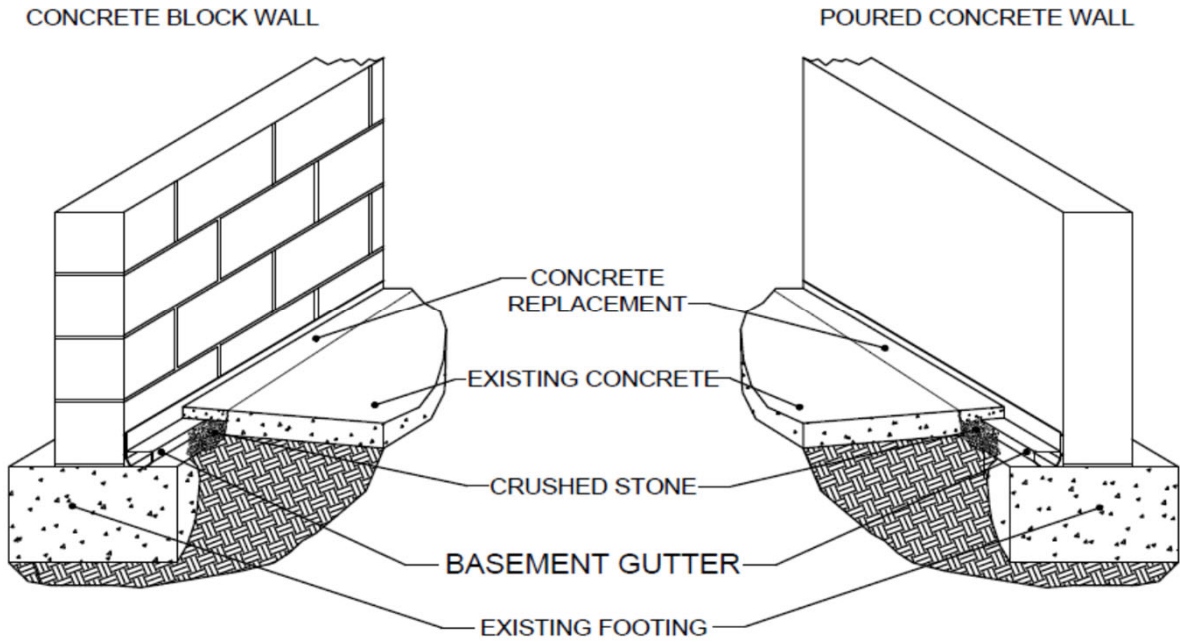


Figure 1 - Diagram of **IMG BasementGutter™** placement

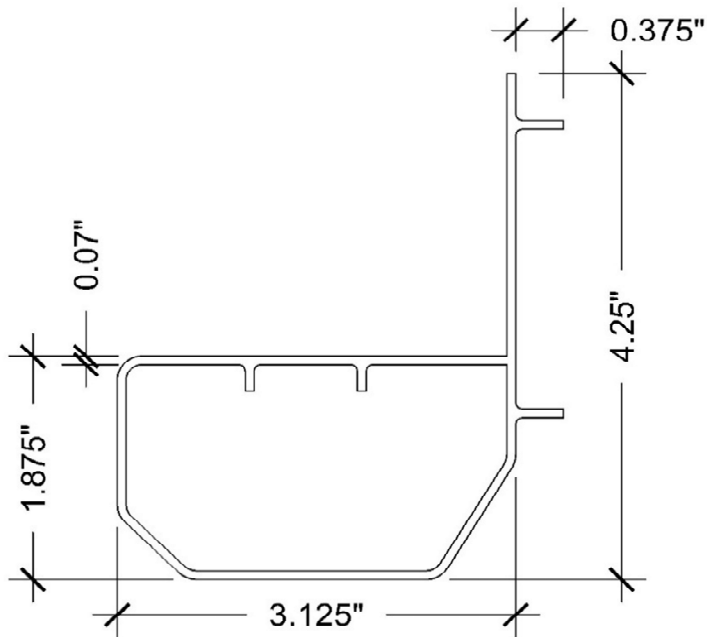


Figure 2 - **IMG BasementGutter™** profile